

SWIT

SC-302S/A
Battery Charger
Ver:B

USER MANUAL

SWIT Electronics Co.,Ltd.

Tel:+86-25-85805753
Fax:+86-25-85805296
http://www.swit.cc
E-mail: contact@swit.cc

Thank you for choosing SWIT products. Please read the instructions before using, and keep it for future reference.

Warning

Keep in mind the following precautions to avoid fire or electric shock!

- Do not expose the charger to rain or moisture.
- Do not disassemble the charger by yourself. Repairs should only be performed by qualified personnel.
- Do not touch the inside of the charger with metal or conductive objects.
- Do not use any metal objects to short-circuit the charging channel terminals.
- Do not connect to a power supply that exceeds the voltage range of the product.
- Please use the original standard AC power cord to avoid damage to the device.
- If the charger is damaged, please do not try to use it.

Caution

- Please use the charger at 0°C~45°C
- Keep the electrodes of the battery and charger clean and ensure reliable contact.
- It is normal for the charger to get warm during charging
- Unplug the power cord when the charger is not used for a long period of time.
- Do not cover the cooling air ducts
- Do not place the charger in an unstable place, this product may be seriously damaged by dropping it.
- Keep in a cool, dry place.

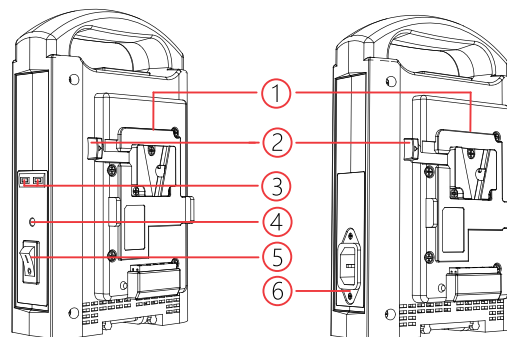
Features

- Two independent power supplies and control systems allow efficient charging of two batteries simultaneously at 2A current.
- LED lights indicate battery charging status in real time

Instructions for charging

- Two channels are independent charging channels and can be charged at 2A simultaneously
- Charging procedure
 1. Use the power cord to connect the charger reliably to AC power (AC 100~240V) and turn on the charger power switch.
 3. Insert the battery to be charged into the charging channel of the charger to start charging, at which time the status of the corresponding channel LEDs will be as follows.
Red: Battery capacity below 100%
Green: charging is complete and can be removed for use.
Flashing red: charging fault.
 3. When the charge is complete, press the battery release button to remove the battery for use.

Appearance



- ① Charging channels (V/A)
- ② Battery release button
- ③ Charge indicator
- ④ Power indicator
- ⑤ Power switch
- ⑥ Power supply input connector

Specifications

Model	SC-302S	SC-302A
Plate	V-Mount	Gold-Mount
Input voltage	AC100~240V,50/60Hz	
Output voltage/current	DC16.8V---2A×2 ch	
Operating temperature	0°C~45°C	
Dimension of packing	252×156×125mm	
Dimension of products	224×136×98mm	
Net weight	0.96kg	