

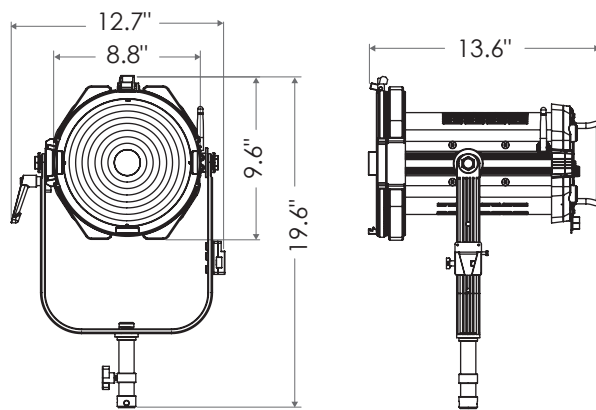
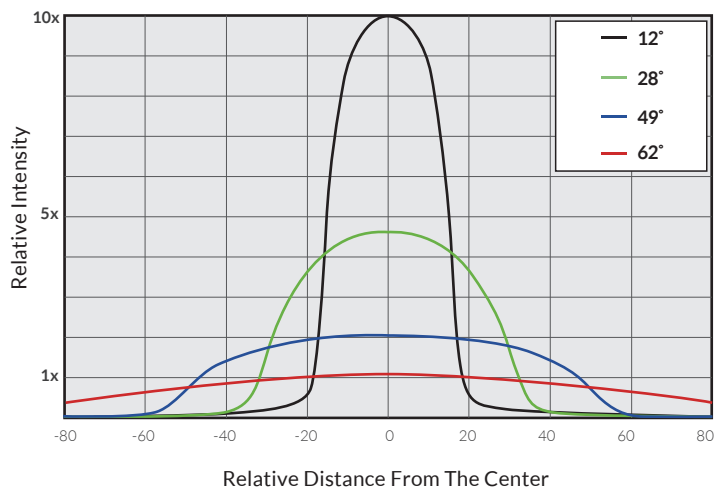
The **Q8 Color-LR** is a 320W 8" LED Fresnel that generates high-quality full-color light output. This fixture uses the latest iteration of Fiilex's Dense Matrix LED technology to deliver color fidelity and optical versatility that are superior to previous generations of LED fresnels. With an extremely wide spot/flood range, smooth dimming to 0%, no flicker, and high CRI, the Q8 Color-LR combines the extensive feature set of top-tier RGBW LEDs with the performance of a tungsten fresnel.



## FEATURES

- High-CRI white light output (2000-10000K)
- 8 and 16-bit color modes: CCTRGBW, CCTHSI, CIExy, etc.
- 12°-62° spot/flood range with no optical aberrations
- 8-leaf barndoor cuts clean with no color splitting
- Smooth and Sharp dimming modes
- DMX-controllable fan modes: Full, Variable, Silent, Off
- IP-X5 Rating (water resistant)
- Wireless control via integrated LumenRadio

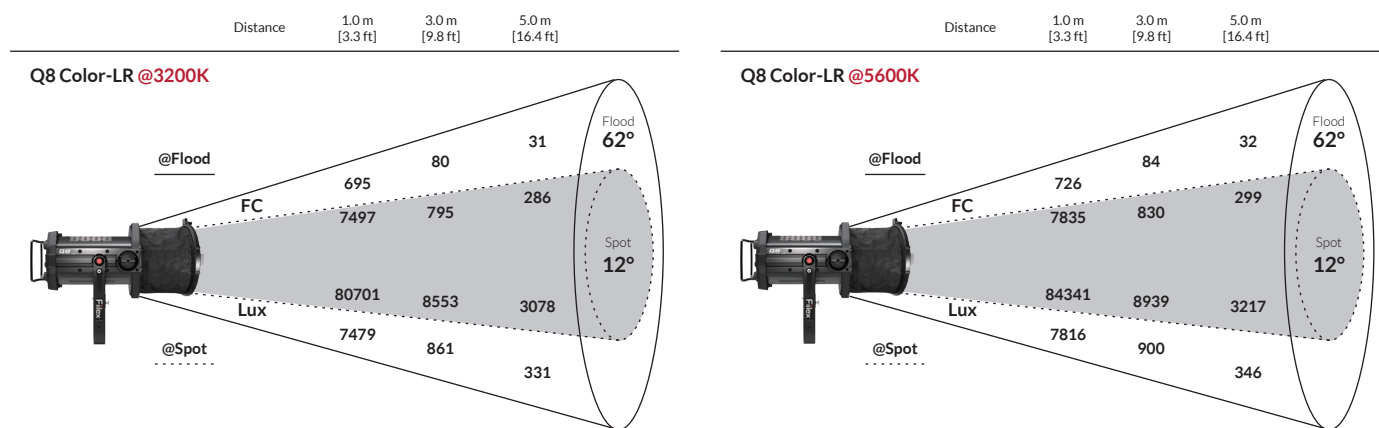
## BEAM PROFILE



### SPECIFICATIONS

Fresnel Diameter	8"
Beam Angle	12°- 62°
CCT Range	2000-10000K continuous tuning + magenta/green shift
CRI / TLCI	95 / 90 typical
Control Modes	CCT, HSI, RGBW, Gels, Effects, CCTRGBW, CCTHSI, CIExy, ICTHS, and more
Dimming	100 - 0% flicker free
Dimming Modes	Smooth, Sharp
Light Engine	1x 300W DiCon Dense Matrix LED
Power Consumption	320W max AC   300W max DC
BTUs/hour	1091 (BTUs/hour) max
DC Input	48V DC (via XLR-3)
AC Input	100 - 240V AC, 50 ~ 60Hz (via powerCON TRUE1)
DMX / RDM Port	XLR-5
Wireless Control	Integrated LumenRadio
Ethernet	sACN, ArtNet (via RJ45)
USB Power Output	5V/1A (via USB-A)
Weight	Fixture: 17 lbs / 7.7kg (includes yoke)   Power adapter: 4.8 lbs/2.2kg
Size (L x W x H)	13.6" x 12.7" x 19.6" / 34.7cm x 32.3cm x 49.9cm
Mount Type	Combo (baby stud female / junior stud male)
IP Rating	IP-X5 (water-resistant)
Thermal Design	Aluminum extrusion cooling system w/ fan
Operating Temperature	32 - 104°F / 0 - 40°C

### PHOTOMETRIC DATA



### OPTIONAL ACCESSORIES



8" Speed Ring



DC Jumper Cable, 6 ft



OCTA4 Softbox