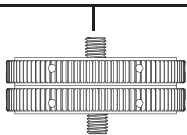


EXO
LINK

FIXED POINT

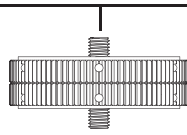


MAX
LOAD
75 kg
(165 lb)

EXO
LINK

DUAL-ACTION

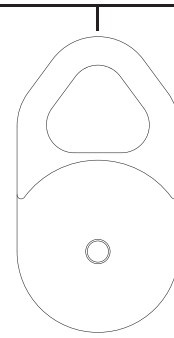
FIXED POINT



MAX
LOAD
75 kg
(165 lb)

EXO
HOLD

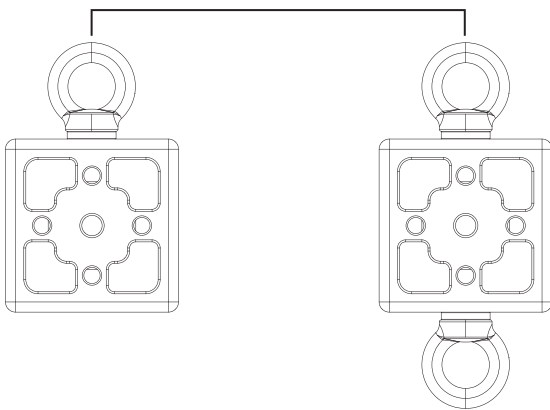
FIXED POINT



MAX
LOAD
50 kg
(110,25 lb)

EXO
CUBE

FIXED POINT



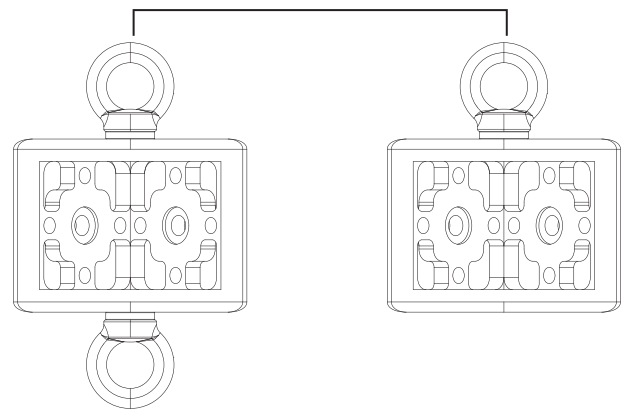
MAX
LOAD
100 kg
(220,5 lb)



MAX
LOAD
100 kg
(220,5 lb)

EXO
SIDE

FIXED POINT



MAX
LOAD
100 kg
(220,5 lb)



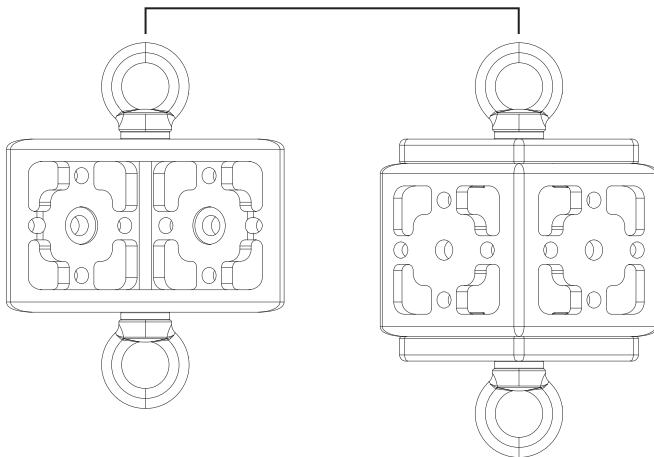
MAX
LOAD
100 kg
(220,5 lb)

EXO
TREY

EXO
TREY
B-PLATE

EXO
OKUB

FIXED POINT

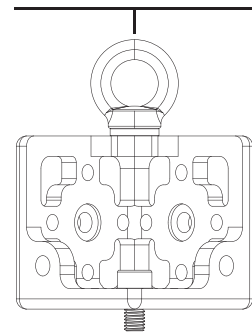


MAX
LOAD
100 kg
(220,5 lb)



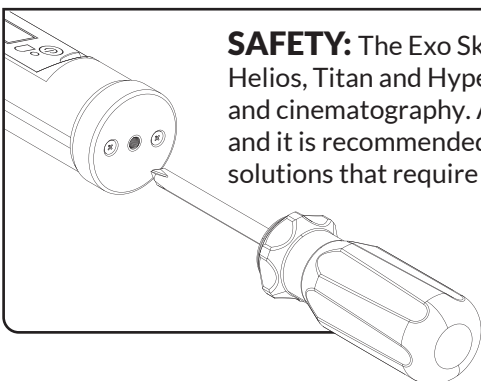
MAX
LOAD
100 kg
(220,5 lb)

FIXED POINT



MAX
LOAD
100 kg
(220,5 lb)

For any other technical inquiries: info@lockcircle.com



SAFETY: The Exo Skeleton system has been designed to expand the creative potential with Astera Helios, Titan and Hyperion LED tubes for professional users in the world of entertainment, television and cinematography. Astera LEDs were not originally designed for heavy use with complex modularity and it is recommended to carefully evaluate safety in the construction of complex and sophisticated solutions that require professional support and anchoring systems.

WARNING: Before using the Exo Skeleton system with the Astera LED tubes, make sure that the two screws are well tightened with a Phillips screwdriver. This is important for effective and safe use, avoiding wear of the parts in contact.