

SWIT®

PB-R160S/R290S

Heavy Duty Digital Li-ion Battery Pack

Ver:A

USER MANUAL

SWIT Electronics Co.,Ltd.

Tel:+86-25-85805753
Fax:+86-25-85805296
<http://www.swit.cc>
E-mail: contact@swit.cc

Congratulations on your purchase of this product. Please read this user manual carefully.

Warning

Keep in mind the following precautions to avoid fire and other safety hazards!

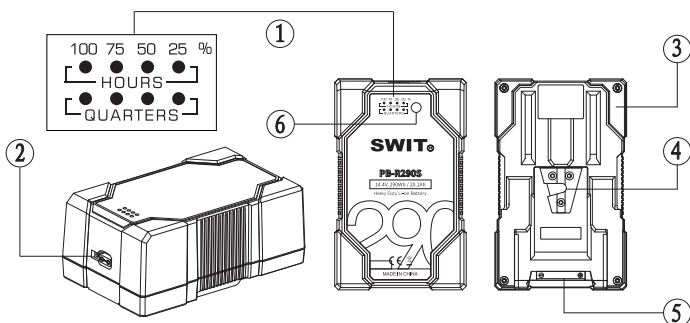
- Do not use battery in fire or hot places to prevent overheating, cracking and other hazards.
- Please do not pierce the battery shell or try to open the shell and decompose the battery.
- Do not use battery beyond charge, discharge and storage environment temperature.
- Do not charge the battery in the car or in direct sunlight.
- Do not use damaged battery.
- Do not squeeze the battery shell which may cause physical damage.
- Make sure the power-consuming equipment(s) meet the battery specifications.
- Use SWIT charger or SWIT recommended charger to charge the battery to avoid overheating or beak.
- Keep out of the reach of children.

Caution

- Fully charged battery will discharge naturally and please use it as soon as it gets charged.
- The battery may become warm in use or while being charged. This is normal.
- Never expose the battery to temperature above 60°C.
- Keep the battery terminals clean and never short-circuit the battery terminals.
- When stored for a long time, please keep the battery power between 50% and 90%, please do not save it for a long time after it has run out of power.

Features

- High performance rechargeable lithium ion battery, no memory effect.
- Double rows of touch digital LED power indicators to display battery capacity and remaining running time under current power consumption in real time.



Charging

- While charging, the LED power indicators can display current capacity percentage in real-time. (For details, please check the description of LED power indicators).
- The battery pack should be charged within a temperature range of 0-40°C, but it is suggested charge the battery within 10-30°C for better performance.

Discharging

- While discharging, press power check button, the LED power indicators will display the remaining running time under current power consumption in real time. (For details, please check the description of LED power indicators).
- At low temperature, the battery internal resistance will increase, which may lead to automatically cut off if the load is heavy.
- The battery will automatically cut off power to protect itself when voltage, current or temperature is abnormal. Please remove the battery, and it will restore after 60 seconds' standing. If the battery overheats, place it in a cool place and the battery will automatically recover after cooling.
- If the voltage is too high because of the charger or other equipments, please discharge the battery to decrease the voltage then it will be restored automatically.

- Innovative appearance and structure design, anti-drop and durable.
- D-tap DC output, to power the camera and other equipment simultaneously.
- High load output, prolong service time.
- 6A fast charging (Using SWIT fast charging charger).

- ① LED power indicators
- ② D-tap output socket
- ③ Protective rubber covers
- ④ V-shape lock
- ⑤ Electrode output
- ⑥ Power check button

The Description of LED Power Indicator

- When charging and free, the upper 4 LEDs display current capacity percentage.
- In discharging status, press “power check” button, the upper row shows hour(s); the lower row shows minutes in green to indicate the remaining running time under current power consumption.
- The details are as below :

Free					
LED Indicator Status					
Remaining Capacity	Capacity < 25%	25% ≤ Capacity < 50%	50% ≤ Capacity < 75%	75% ≤ Capacity < 95%	Capacity ≥ 95%
Charging					
LED Indicator Status					
Remaining Capacity	Capacity < 25%	25% ≤ Capacity < 50%	50% ≤ Capacity < 75%	75% ≤ Capacity < 95%	Capacity ≥ 95%
Discharging					
LED Indicator Status					
Remaining Running Time	0 ~ 15min	15min ~ 30min	30min ~ 45min	45min ~ 60min	60min ~ 75min
LED Indicator Status					
Remaining Running Time	75 ~ 90min	90min ~ 105min	105min ~ 120min	120min ~ 135min	135min ~ 150min
LED Indicator Status					
Remaining Running Time	150 ~ 165min	165min ~ 180min	180min ~ 195min	195min ~ 210min	210min ~ 225min
LED Indicator Status					
Remaining Running Time	225 ~ 240min	240 ~ 255min	255 ~ 270min	270 ~ 285min	285 ~ 300min
LED Indicator Status		Note:			
Remaining Running Time	≥ 300min	1. “” → Power check button, “” → Off, “” → On, “” → flash 2. In charging and free status, the LED indicators will be in red; while in discharging status, the LED indicators will be in green.			

Specification

Model	PB-R160S		PB-R290S	
Battery plate	V-mount		V-mount	
Nominal voltage	14.4V		14.4V	
Capacity	160Wh, 11.1Ah		290Wh, 20.1Ah	
Max output	Electrodes	150W, 12A	200W, 16A	
	D-TAP	120W, 10A	120W, 10A	
	In total	150W	200W	
Dimension	162X101X53mm		162X101X69mm	
Net weight	1.10kg		1.55kg	
Max charging current	6A		6A	