

SWIT®

MUF50
Out shooting portable tripod
Ver: A

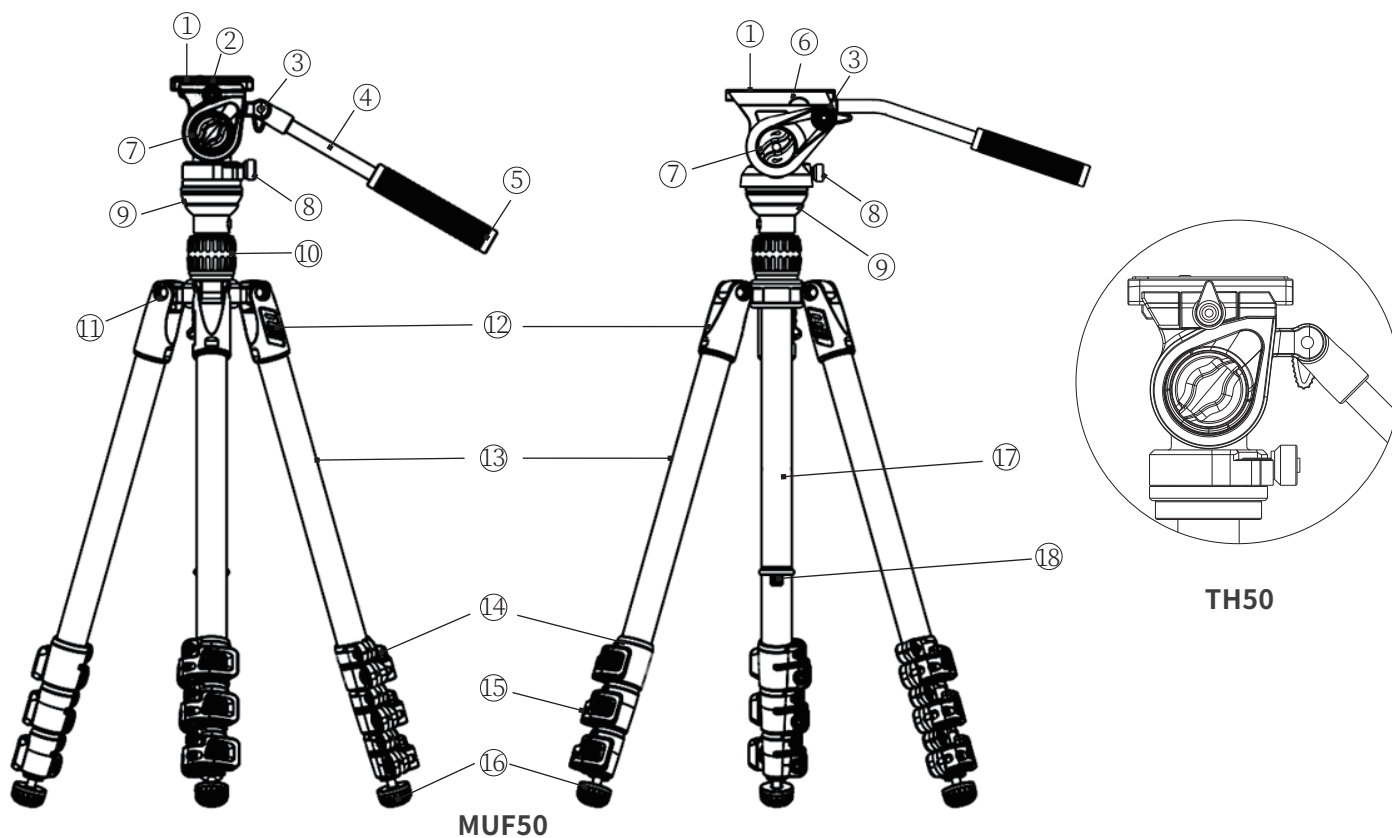
USER MANUAL

SWIT Electronics Co.,Ltd.

Tel:+86-25-85805753
Fax:+86-25-85805296
http://www.swit.cc
E-mail: contact@swit.cc

Thank you for choosing SWIT products, please read this user manual before using and keep it properly for future reference.

Appearance



- 1. Standard bolt
- 2. Lock bolt
- 3. Handle connection port
- 4. Fluid head handle
- 5. Handle protection
- 6. Quick release plate safety switch

- 7. Pitch damping knob
- 8. Horizontal damping lock knob
- 9. Quick adjusting ball bowl
- 10. Center column locking nut
- 11. Main frame
- 12. Angle adjustment button

- 13. Feet tube
- 14. Fixed frame
- 15. Lock buckle
- 16. Changeable feet
- 17. Central tube
- 18. Weight hook

Model & Specification

Model	MUF50
Material	Aluminum
Tube Diameter(mm)	15.5-26
Self-weight(kg)	2.23
Load(kg)	5
Fluid head	TH50
Number of feet socket	4
Fold height(cm)	43
Height(cm)	43-159

Packing list

No.	Description	Quantity
1	Tripod kit	1
2	Quick release plate	1
3	Accessories tool	1
4	Fluid head	1

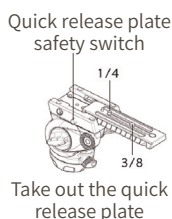
Tips: Manual measurement has an error of 1-2cm, please refer to the actual object, thank you for understanding.

Directions

1. Camera installation

SLR camera or camcorder can be installed.

- ① Rotate the lock knob for release quick release plate counterclockwise.
- ② Press the safety switch and take out the quick release plate.
- ③ Press the quick release plate diagonally into the platform from the direction of the safety bolt, Turn the knob to lock.



2. Accessories & other device installation

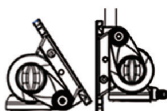
The external nut can be connected with the rocker arm, display LED lights and other equipment. Choose 1/4 or 3/8 screw according to the equipment you have, you can locking with the coin in the tool kit.

Lock knob

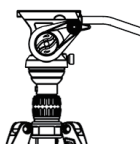


Install quick release plate

-70° +90°



Adjust the head pitching angle

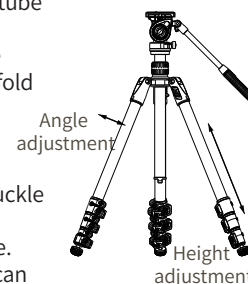


Fast leveling

head is not level and the degree of skew of the tripod is small, the fast leveling ball bowl above the tripod can be used for quick level adjustment.

6. Unfold and fold the tripod

- ① When the foot is expanded, just pull down the foot tube and it can be expanded.
- ② After the pin is expanded, press and hold the Angle adjustment button on the upper side of the pin to fold the pin back to the folded position.



7. Height adjustment

- ① Pull open the buckle and the foot frame will slide automatically. According to the required height, buckle the buckle again to fix the height of the foot frame.
- ② Open the pins of the tripod to an appropriate Angle. For the foot of fixed middle tube, only fixed Angle can be selected. The Angle can be adjusted for a moving tube or a leg that extends to the ground.

8. Remove the monopod

Tripod pins with sheath and locking mark can be removed directly for use as a monopod. Rotate the pin according to the direction shown on the icon and spin out.

9. Nail conversion

On loose ground, can use foot nail to increase tripod stability. Rotate the rubber part of the convertible foot pin to switch between the foot nail and the rubber foot. When switching, make sure to rotate to a position that cannot be rotated, but do not use brute force to avoid damage to the tripod.



Foot nail & Rubber feet conversion

3. Adjust the head angle

- ① The head can be pitch adjusted the upper and lower Angles can be adjusted is between +90 and -70 degrees. If it needs to be fixed, the pitch damping knob can be used for locking. In the absence of load, the head will be automatically return to a horizontal state.
- ② The head can rotate 360 degrees horizontally, and the horizontally locked knob can be used to control the horizontally damping.

4. The use of the bubble level

The tripod will be perpendicular to the ground when Bubble inside the level is in the most middle position.

5. Use of fast leveling ball bowl When the level on the cradle

Notice

1. Do not use at temperatures below minus 40°C and above 70°C.
2. When in damp, sand and dust environment, please wipe dry with dry cloth after use. When in a rain environment, after use, please pull the pin to full elongation. Until the inside of the pin is dry and then closed; Not recommended for use in seawater.
3. Do not carry camera or photography equipment on the tripod.
4. The product does not need to be equipped with lubricating oil, do not add improper lubricating products without authorization, if necessary, use standard lubricants and oils. Or please call our customer service hotline +49(0)2131 6632331 for consultation.
5. Please do not disassemble the product under the guidance of

non-professionals. If you have any questions, please call SWIT customer service hotline +49(0)2131 6632331.

6. In order to ensure personal safety, do not use this product with live products, high voltage equipment and strong chemical exposure.
7. When adjusting the device, do not exert too much force to avoid component damage.
8. Do not exceed the maximum load (see parameter description).
9. Do not expose the product to the sun or high temperature for a long time in the car or under the glass.
10. When working, do not let the product be seen in a dangerous public place out of the reach of children.

Common problems and solutions

Faults	Reason	Treatment
The head shaking	The head is not connect to the tripod	Connect the head with the tripod
The foot tube slides loose	The buckle is not fastened well	Fasten the clasp or lock the clasp with a medium wrench
Quick release plate can not be removed	Lock knob not loosened/ Failure to press safety bolt	Loose the lock knob, and press the safety bolt, simultaneously pull out the quick release plate
Open the buckle foot tube and cannot fall by itself	Foreign matter between the wall of the foot tube, or flip lock is too tight	Check if it has foreign matter or loose the flip clock appropriately.
After installing the equipment, The head tilt forward or backward	Quick release plate is not in the right place	Adjust the front and back position of the quick release plate until the platform is in a horizontal state.
Quick release plate can not be inserted, or the safety bolt loses its protective effect.	Insertion direction of quick release plate is wrong	Keep the arrows at the bottom of the quick release plate in the same direction as the head.

Contact

If you have any comments and suggestions about this product, you can contact us through the following ways to give us feedback. Your comments are valuable resources for our growth. Thank you very much!

Customer service hotline: +49(0)2131 6632331

E-mail: info@swit-europe.com (European office) /Contact@swit.cc (China headquarters)